

## DIN 433 Round Flat Washer

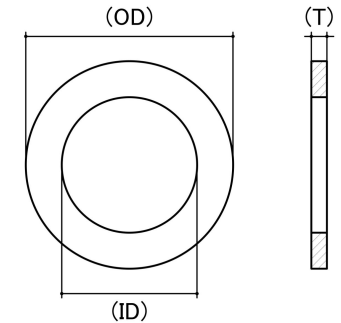
**Material:** Stainless Steel

**Class Grade:** A2-70 G304

**Corrosion Protection Level:** Excellent

**Standard:** DIN 433

**System Of Measurement:** Metric



*CAD drawings shown for graphic representation only.\**

Industry Size	Inside Dimension (ID) (mm)		Outside Dimension (OD) (mm)		Thickness (T) (mm)		sku (qfind)
	Min	Max	Min	Max	Min	Max	
M2 x 4.5 x 0.3	2.10	2.40	4.30	4.50	0.30	0.35	71S24503
M2.5 x 5 x 0.5	2.60	2.90	4.80	5.00	0.50	0.70	71S25505
M3 x 6 x 0.5	3.10	3.50	5.60	6.00	0.50	0.70	71S3605
M4 x 8 x 0.5	4.10	4.60	7.60	8.00	0.50	0.70	71S4805
M5 x 9 x 1	5.10	5.50	8.70	9.00	0.90	1.10	71S591
M6 x 11 x 1.6	6.10	6.80	10.50	11.00	1.30	1.80	71S61116
M8 x 15 x 1.6	8.50	9.20	14.50	15.00	1.30	1.80	71S81516
M10 x 18 x 1.6	10.20	10.75	17.50	18.00	1.30	1.80	71S101816
M12 x 20 x 2	13.00	13.97	19.50	20.00	1.70	2.30	71S12202
M16 x 28 x 2.5	17.00	17.60	27.50	28.00	2.20	2.60	71S162825
M20 x 34 x 3	20.90	22.10	33.50	34.00	2.70	3.00	71S20343

**Disclaimer:**

Dimensional data and technical information was obtained from publically available sources and not acquired through standard agencies. It has been completed and compiled for reference purposes only; where discrepancies are found they are subject to change without notice. Bolt & Nut Australia makes no warranties or representations regarding the accuracy and validity of the compiled information and data. Contact the relevant standard authorities for accurate and detailed information.

\* CAD drawings may not reflect diameter, thread length or overall length.

© Bolt & Nut Australia Pty Ltd. All rights reserved.

Version: 18 Mar 2024